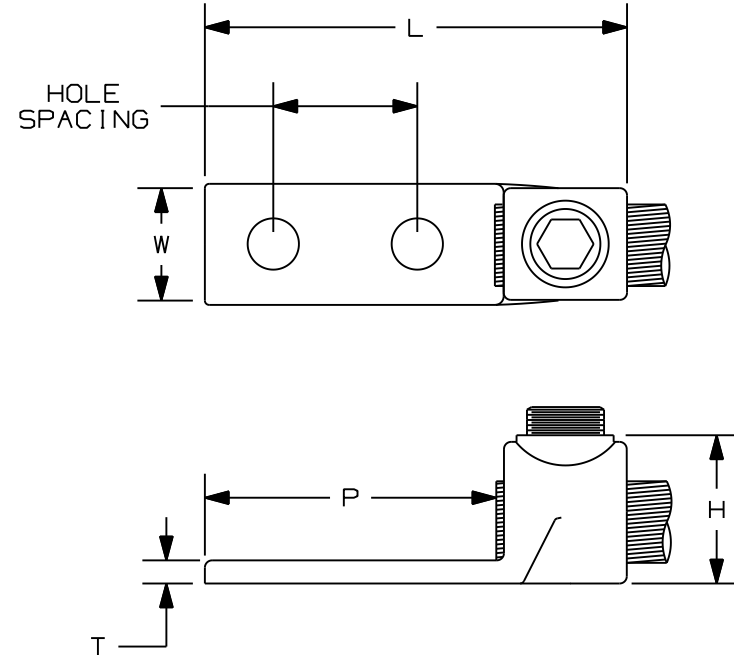



PART NUMBER	COPPER CONDUCTOR SIZE RANGE	STUD HOLE SIZE (IN.)	STUD HOLE SPACING (IN.)	HEX KEY SIZE (IN.)	FIGURE DIMENSIONS (IN.)					TIGHTENING TORQUE (IN.-LBS.)	STD. PKG. QTY.
					L	W	H	T	P		
HL1-2-25-X	#14 SOL- #8 STR	1/4	.63	***	2.00	.56	.70	.19	1.25	20	10
HL4-2-X	#8 SOL- #4 STR	1/4	.63	***	2.00	.56	.69	.18	1.25	35	10
HL8-2-X	#4 SOL- #1 STR	1/4	.75	7/16	2.44	.75	.92	.22	1.50	100	10
HL13-2-5	#1 SOL- 2/0 STR	3/8 (A)	1.00	9/16	2.88	.81	1.07	.22	1.88	250	5
HL21-2-5	2/0 STR- 4/0 STR	3/8	1.00	9/16	3.00	1.00	1.33	.25	1.75	250	5
HL30-2-2	4/0 STR- 300 kcmil	3/8	1.00	5/8	3.13	1.06	1.45	.31	2.00	350	2
HL50-2-2	300 kcmil- 500 kcmil	3/8	1.00	3/4	3.44	1.38	1.66	.34	2.00	480	2

Ⓒ NOTES:

1. CAST FROM HIGH STRENGTH CORROSION RESISTANT COPPER ALLOY TO PROVIDE PREMIUM ELECTRICAL AND MECHANICAL PERFORMANCE.
2. WIRE RANGE TAKING CAPABILITY MINIMIZES INVENTORY REQUIREMENTS.
3. INTERNAL PRESSURE PLATE PROVIDES UNIFORM CLAMPING FORCE ON CONDUCTOR FOR PREMIUM ELECTRICAL PERFORMANCE.
4. PLATED STEEL SET SCREW PROVIDES HIGH STRENGTH, DURABLE ELECTRICAL CONTACT BETWEEN CONDUCTOR AND CONNECTOR.
5. INSPECTION WINDOW TO VISUALLY ASSURE FULL CONDUCTOR INSERTION.
6. FLAT BOTTOM ALLOWS FOR COMPLETE CONTACT WITH MOUNTING SURFACE.
7. UL LISTED FOR USE UP TO 600V AND TEMPERATURE RATED 90° C.



C41437_03

03	03/08	JESH	JAC	ADDED NOTES	Ⓒ		JAC		 CORP. TINLEY PARK, ILLINOIS TWO-HOLE, STRAIGHT TONGUE LUG WITH INTERNAL PRESSURE PLATE CUSTOMER DRAWING
02	03/08	JESH	JAC	TC REVISION CHANGE	Ⓑ		JAC		
01	2/08	JESH	JAC	DIMENSION 3/8" WAS 5/16"	Ⓐ		JAC		
00	9/04	JHNU		DRAWING RELEASED					
REV	DATE	BY	CHK	DESCRIPTION		ECN #	PM	CUST	DRAWN BY JHNU CHK'D SCALE N/A DRAWING NO. C41437